

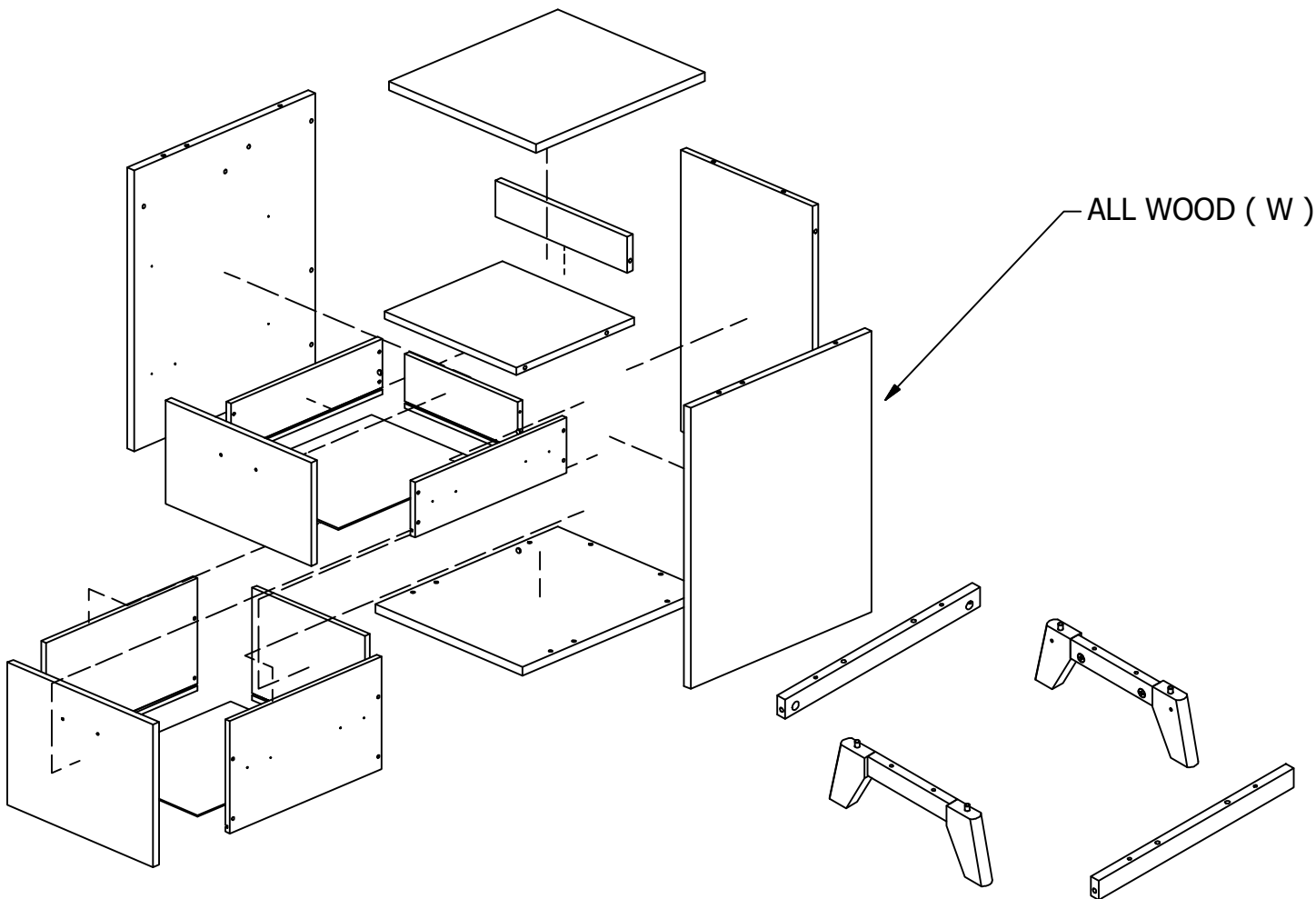


BUSH BUSINESS FURNITURE

CENTURA



NEED HELP?
Call 1-800-950-4782



ALL WOOD (W)

- Z KD Cam
- Z,H KD Bolt
- W Wood Dowel
- S Pull
- S M4 x 22mm

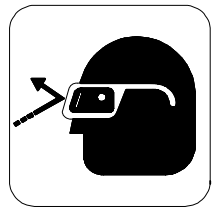
- S 16" Slide Mount
- S 16" Slide Runner
- S #10 x 1-3/4"

- K DWR Bracket
- K Front File Extrusion
- K File Bar 12-1/2" (318mm)

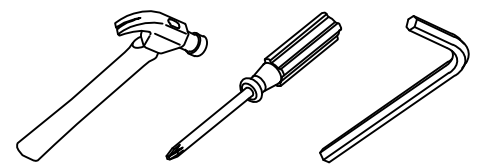
- ALUMINUM: A
- FABRIC: F
- GLASS: G
- STEEL: S
- WOOD: W
- ZINC: Z
- ELECTRONIC: M
- PLASTIC 1: B
- PLASTIC 2: C
- PLASTIC 3: D
- PLASTIC 4: E
- PLASTIC 5: H
- PLASTIC 6: J
- PLASTIC 7: K
- PLASTIC 8: L



RECYCLING CONTENT



RECOMMENDED TOOLS



Estimated Disassembly Time: 30 min