

Assembly Guide

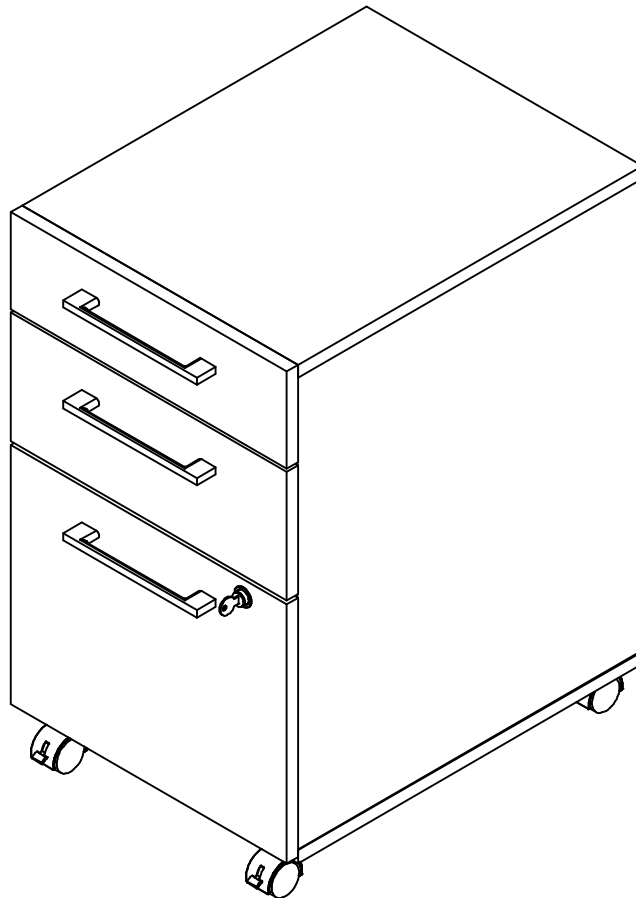


If you're having any difficulty during assembly of this product, don't hesitate to call us at **1-800-950-4782.**

Our customer service experts are trained to provide step-by-step instruction and can easily replace any missing or damaged parts.

Representatives are available Monday-Friday from 8:00 a.m. to 7:30 p.m. (ET)

16" Wide 3 Drawer Mobile Pedestal



Lot Code #

Part Number A183481D

Keep manual for future reference.

For best results, keep these tips in mind:

- ① We know you want to finish this assembly as quickly as possible, but trust us: you'll have a better experience if you take it one step at a time.
- ② Give yourself some room to work near where you want the fully assembled product.
- ③ If your floor isn't carpeted, assemble this product on the empty carton to avoid scratching.
- ④ Do you have a friend who owes you a favor? Some steps may go a little easier with a second set of hands.

DOs

- ✔ Use a #2 Phillips head screwdriver (or other handheld tools as indicated)
- ✔ Wear safety glasses at all times during assembly
- ✔ Carefully follow the instructions in this guide and complete all steps in order
- ✔ Give us a call if you're having trouble with a particularly tricky step

DON'Ts

- ✘ We know power tools are quick and easy, but you shouldn't use them when assembling this product (unless otherwise specified)
- ✘ Never move your furniture with items inside or resting on the surface
- ✘ Do not attempt to use this product before all steps have been completed

Watch assembly videos right on your phone or computer!



Some steps include QR codes that link to helpful videos. Watch out for the icon on the left! Simply open up your smartphone camera to scan the code.

(Users of older smartphones may need to install a QR Reader.)

SCAN HERE



FOR VIDEOS

Or visit <https://www.bushfurniture.com/CustomerService/HowtoAssemble.aspx>



IMPORTANT SAFETY INFORMATION

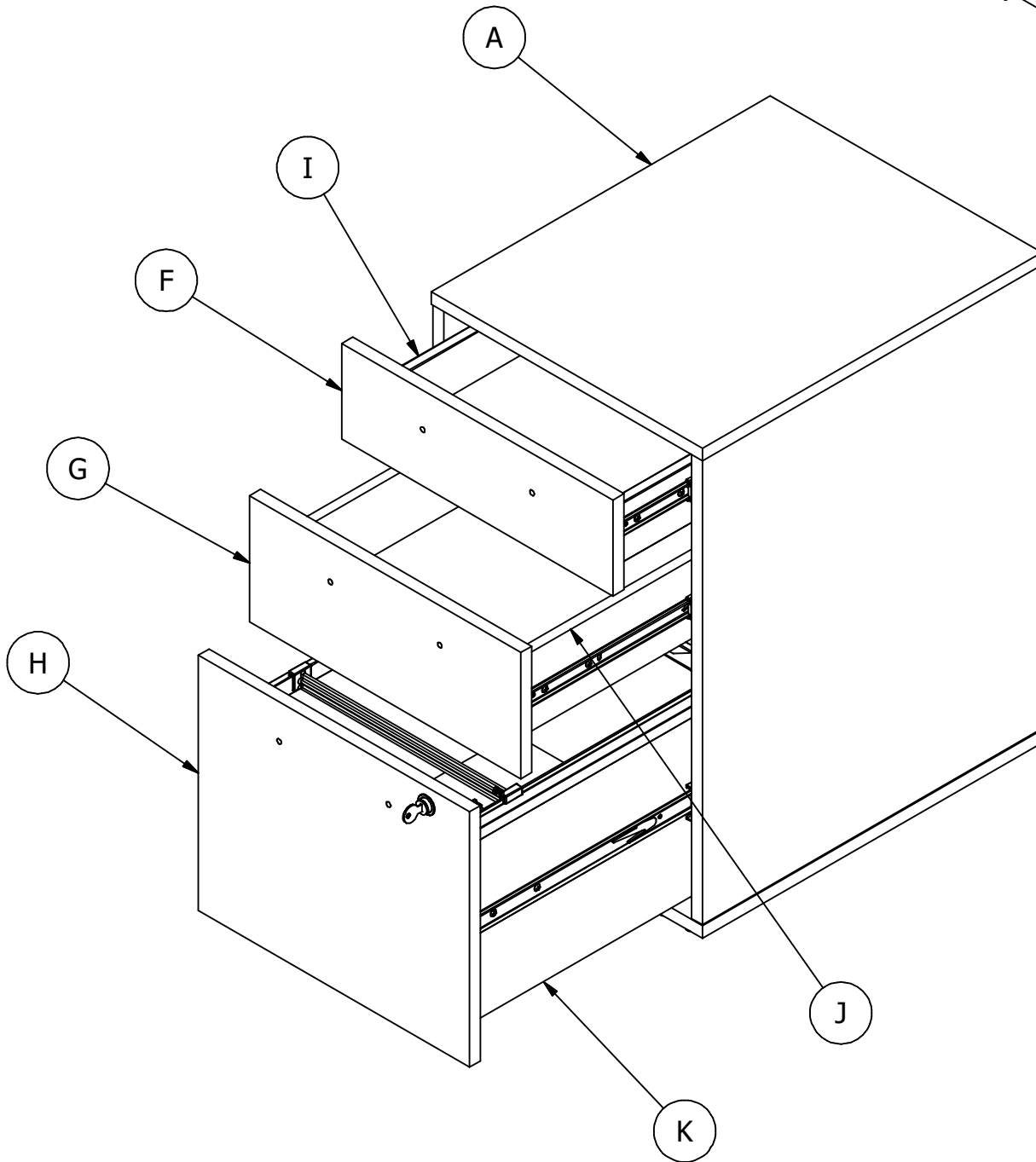
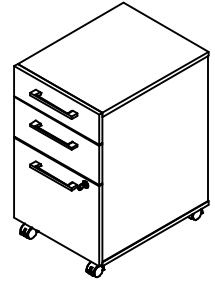


PLEASE READ WARNINGS

Improper use can cause safety hazards, or damage to your furniture and household items.

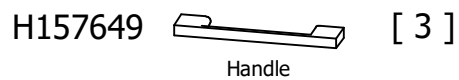
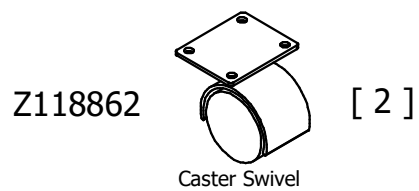
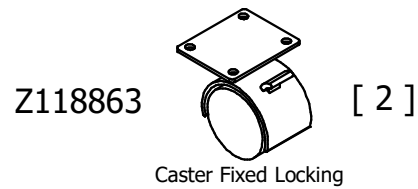
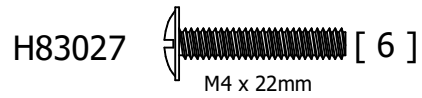
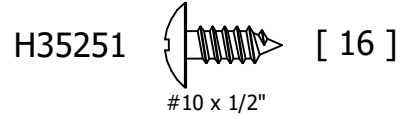
Warning	Do	Don't	Why it's important
Serious injury may occur.	<ul style="list-style-type: none">Assemble following all instructions using all indicated parts and hardware provided.Install every indicated nail and/or screw.Verify furniture is stable on it's own.Place heaviest items in the lower drawers.Always load the bottom drawer first.	<ul style="list-style-type: none">Do not move unit when loaded.Do not load with a television or other heavy equipment.Never exceed the maximum load limits stated in the instructions.	Improper assembly, use or loading can lead to product instability, tip-over or collapse.

Caution	Do	Don't	Why it's important
Injury may occur.	<ul style="list-style-type: none">Unload unit prior to moving starting with top drawer first.	<ul style="list-style-type: none">Do not move unit when loaded.	Loaded units are heavy and are not designed to be moved when loaded.



Have an assembly question or need a replacement part? Just call
1-800-950-4782, we are here to help.

Hardware not to scale.





Have an assembly question or need a replacement part? Just call
1-800-950-4782, we are here to help.

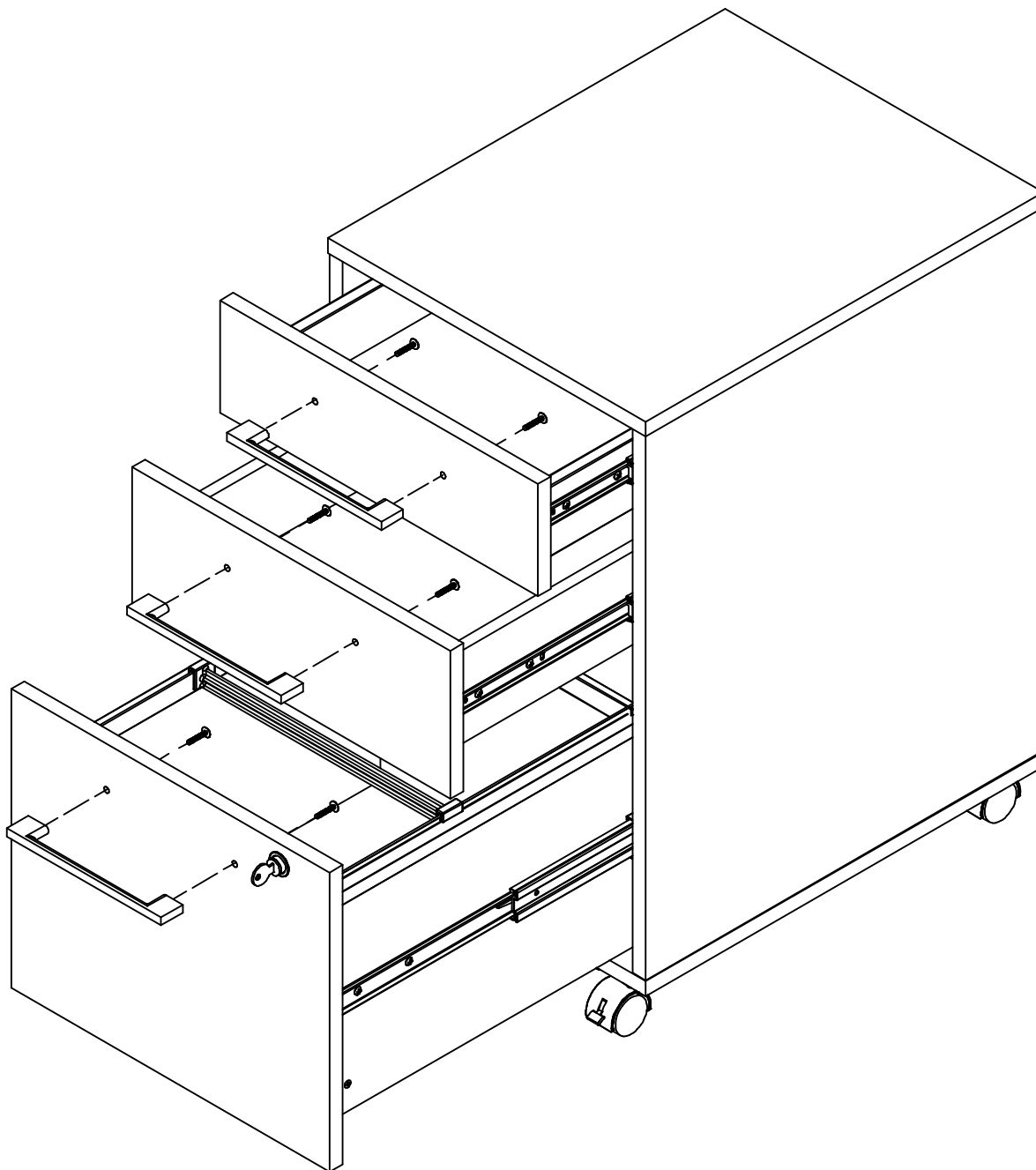
STEP 1

Attach Handles

A183481D

H157649  [3]
Handle

H83027  [6]
M4 x 22mm



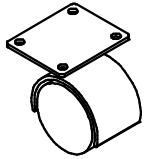
Have an assembly question or need a replacement part? Just call
1-800-950-4782, we are here to help.

STEP 2

Install Casters

A183481D

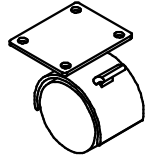
Z118862



[2]

Caster Swivel

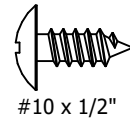
Z118863



[2]

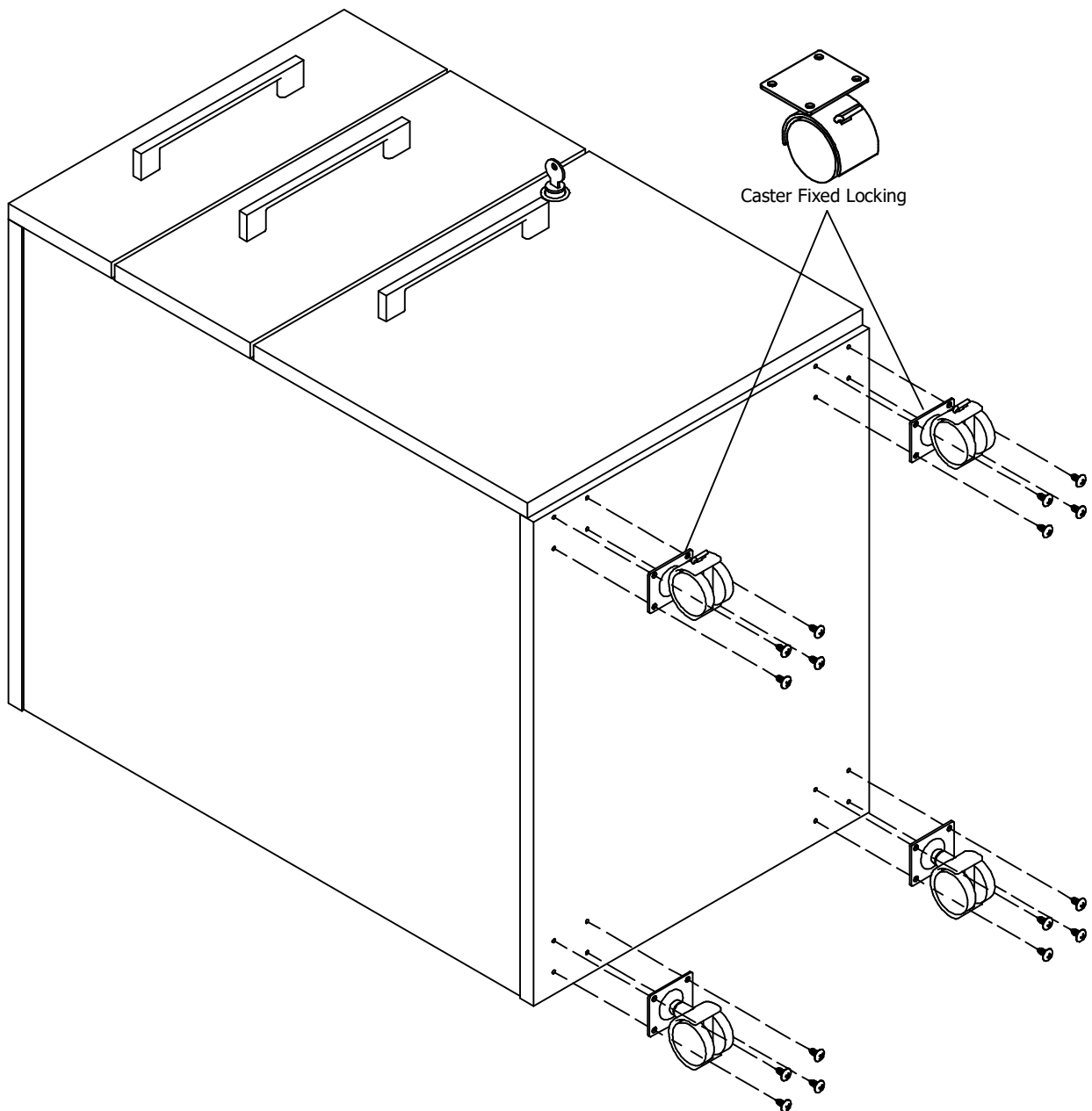
Caster Fixed Locking

H35251



[16]

#10 x 1/2"



Have an assembly question or need a replacement part? Just call
1-800-950-4782, we are here to help.

Scan QR Code to Watch Video on:



How to Adjust Drawer Fronts

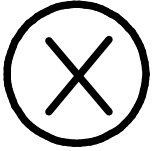
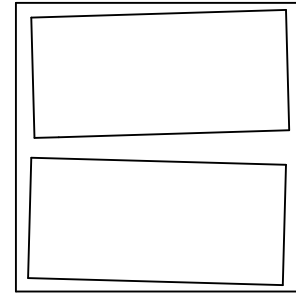
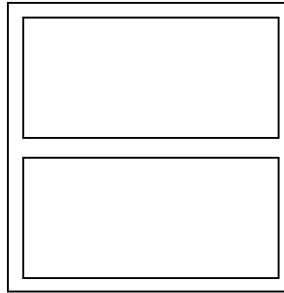
Scan QR Code to Watch Video on:



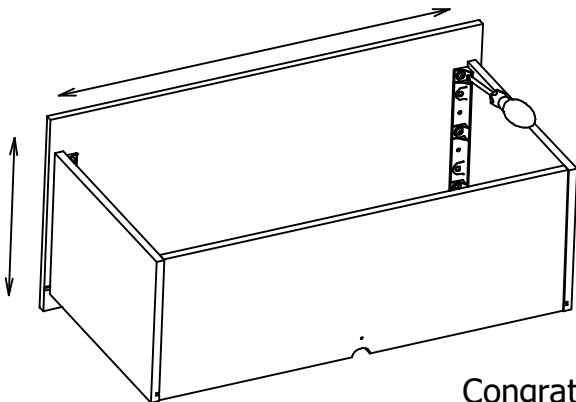
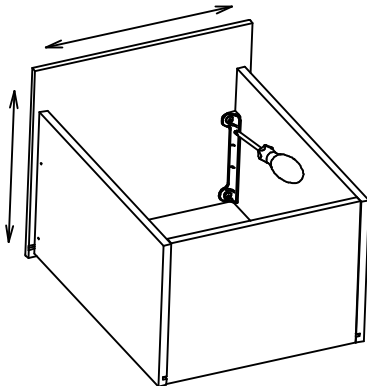
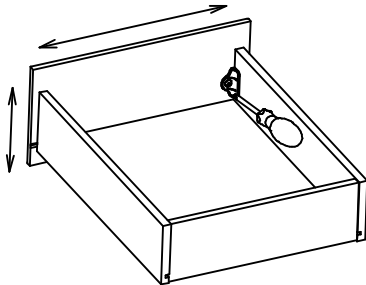
How to Clean the Surface



DRAWER FRONT VIEW



Gently clean surfaces with a damp sponge eraser.



REQUIRED TOOL: PHILLIPS SCREWDRIVER

HERRAMIENTA REQUERIDA: DESTORNILLADOR PHILLIPS
 OUTIL REQUIS: TOURNEVIS CRUCIFORME



1. LOOSEN SCREWS.
2. ADJUST DRAWER FRONTS.
3. TIGHTEN SCREWS.

1. Afloje los tornillos
2. Ajustar frentes de cajón
3. Apriete los tornillos

1. Desserrer les vis
2. Ajuster les façades des tiroirs
3. Serrer les vis

Congratulations! You are all done. If you have any questions or concerns, please call.

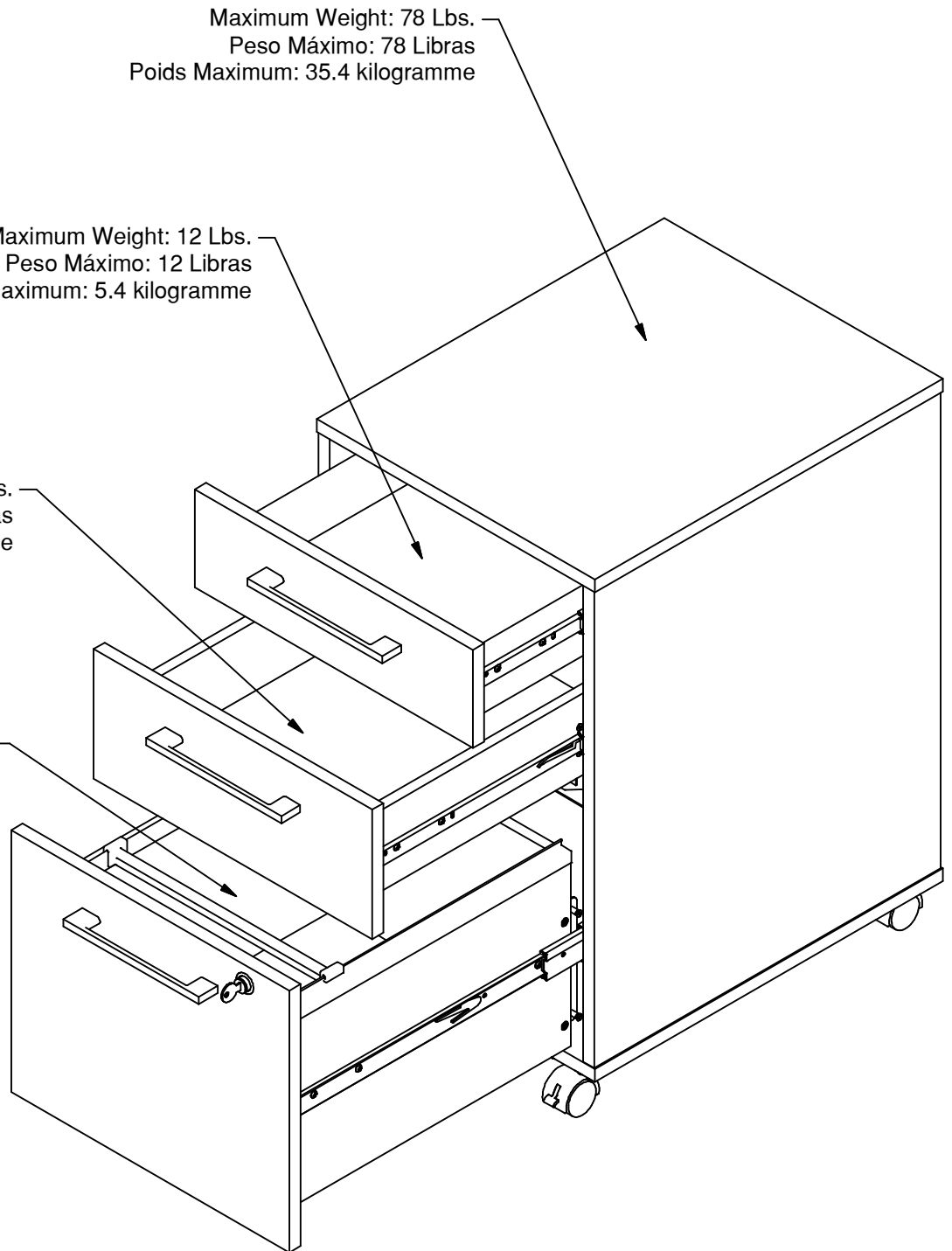
Have an assembly question or need a replacement part? Just call **1-800-950-4782**, we are here to help.

Maximum Weight: 78 Lbs.
Peso Máximo: 78 Libras
Poids Maximum: 35.4 kilogramme

Maximum Weight: 12 Lbs.
Peso Máximo: 12 Libras
Poids Maximum: 5.4 kilogramme

Maximum Weight: 16 Lbs.
Peso Máximo: 16 Libras
Poids Maximum: 7.2 kilogramme

Maximum Weight: 37 Lbs.
Peso Máximo: 37 Libras
Poids Maximum: 16.7 kilogramme



Have an assembly question or need a replacement part? Just call
1-800-950-4782, we are here to help.

22MP3BBFMR

A	[1]	Case Assembly
F	[1]	W183528
G	[1]	W183527
H	[1]	W183526
I	[1]	S183586
J	[1]	S171111
K	[1]	S171113

22MP3BBFWH

A	[1]	Case Assembly
F	[1]	W192086
G	[1]	W192085
H	[1]	W192084
I	[1]	S183586
J	[1]	S171111
K	[1]	S171113

22MP3BBFAC

A	[1]	Case Assembly
F	[1]	W183503
G	[1]	W183502
H	[1]	W183501
I	[1]	S183586
J	[1]	S171111
K	[1]	S171113

22MP3BBFPG

A	[1]	Case Assembly
F	[1]	W195317
G	[1]	W195318
H	[1]	W195319
I	[1]	S183586
J	[1]	S171111
K	[1]	S171113

22MP3BBFSG

A	[1]	Case Assembly
F	[1]	W186959
G	[1]	W186958
H	[1]	W186957
I	[1]	S183586
J	[1]	S171111
K	[1]	S171113

Separate and Install
Drawer Slides

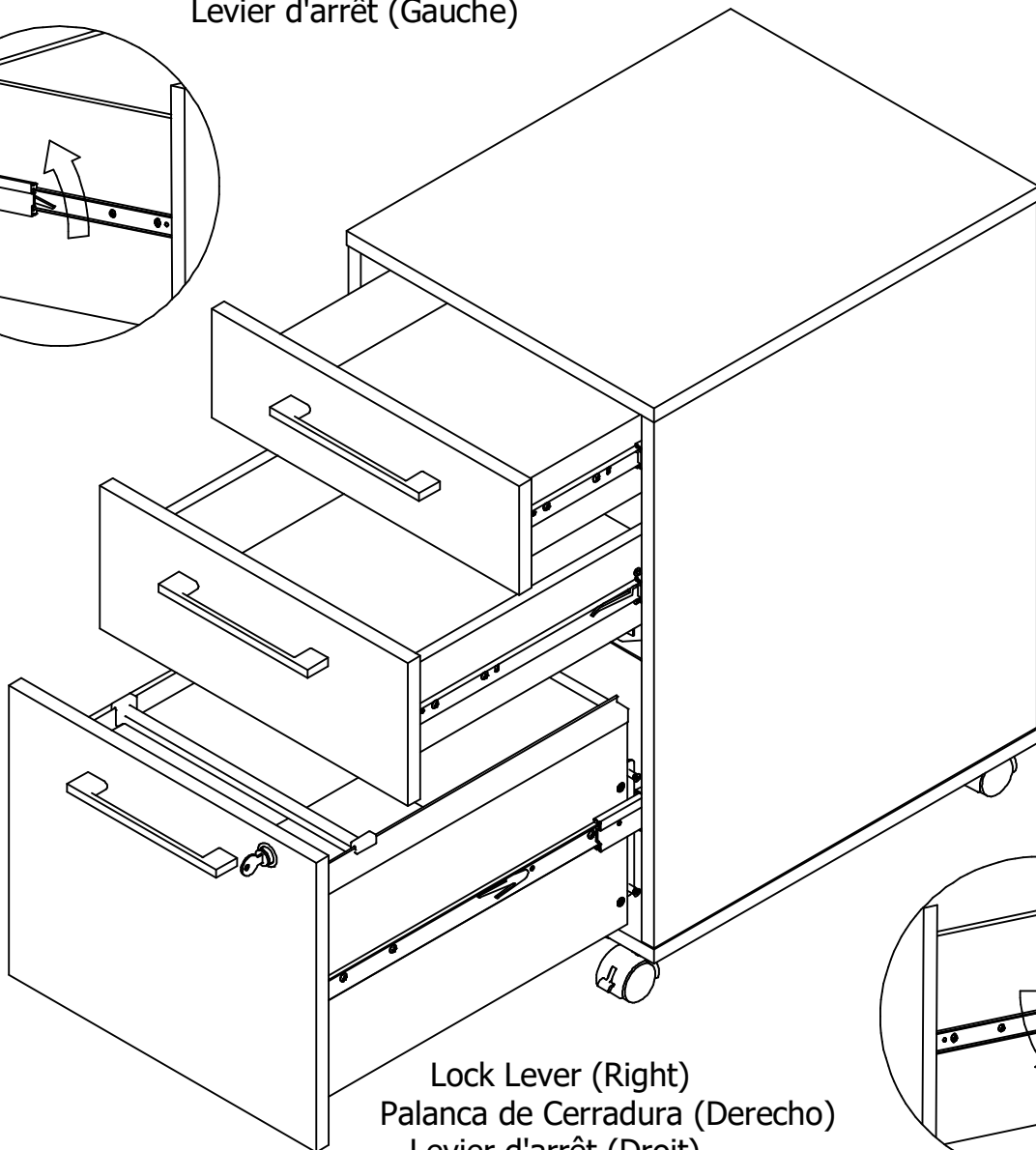
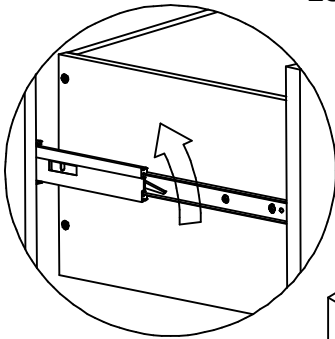
WATCH VIDEO



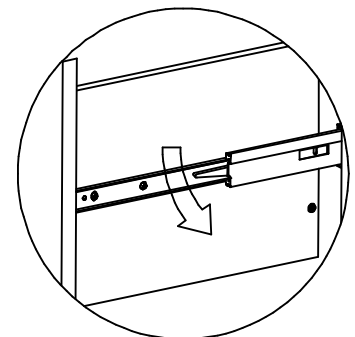
[bushfurniture.com/
CustomerService/HowToAssemble](http://bushfurniture.com/CustomerService/HowToAssemble)

For left side push lock lever up and pull-out drawer.
Para deslizable izquierdo, empuje la palanca de cerra hacia arriba y tapa del gaveta.
Pour la coulisse gauche placez le verrou vers le haut et dessus du tiroir.

Lock Lever (Left)
Palanca de Cerradura (Izquierdo)
Levier d'arrêt (Gauche)



Lock Lever (Right)
Palanca de Cerradura (Derecho)
Levier d'arrêt (Droit)



For right side push lock lever down and pull-out drawer.
Para deslizable derecho, empuje la palanca de cerrar hacia abajo y tapa del gaveta.
Pour la coulisse droite placez le verrou vers le bas et dessus du tiroir.

Separate and Install
Drawer Slides
WATCH VIDEO



[bushfurniture.com/
CustomerService/HowToAssemble](http://bushfurniture.com/CustomerService/HowToAssemble)

To insert drawer.
para metre el cajon o gaveta.
Pour insérer le tiroir

